

Victorian Door Surround

transforms any doorway



Lead Top Option Shown above

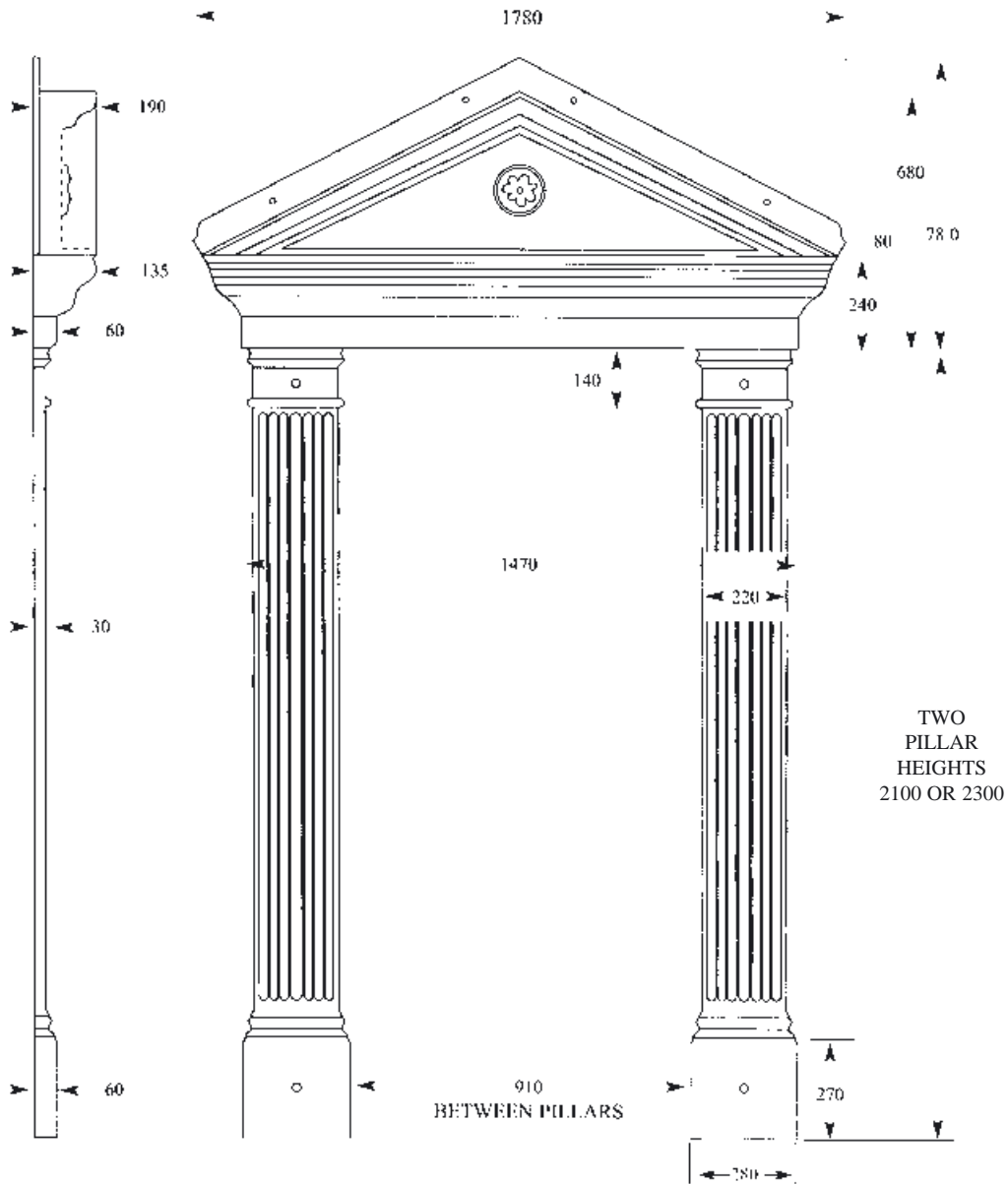
- Beautiful Moulded Design
- Made in Strong Rigid Fibreglass
- Transforms any Doorway
- Available in 3 shades of White, Brown, Light Oak and Rosewood
- Fast Easy Installation
- Totally Maintenance Free
- Delivered Approx' 2-3 Days
- Fully Guaranteed



fast easy installation!

Please see reverse for technical information

VICTORIAN DOOR SURROUND



Victorian with side wings now available for wider openings.

Available in Various Colours:

- 3 Shades of White: Standard, Ultra, Deeplas
- Chocolate Brown, Light Oak & Black

Pillars are also available separately.

Georgian Door Surround

transforms any doorway



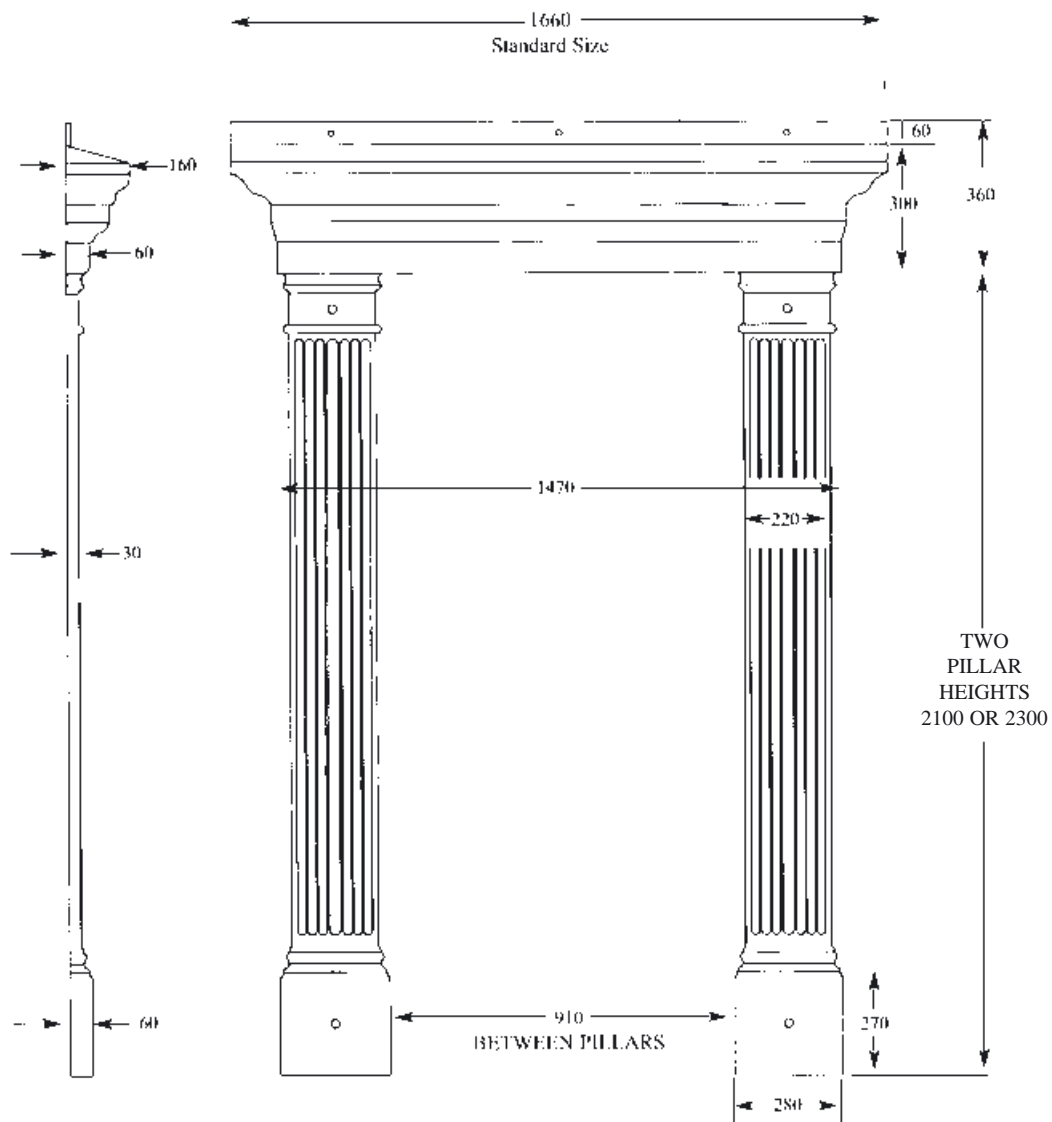
- *Beautiful Moulded Design*
- *Made in Strong Rigid Fibreglass*
- *Transforms any Doorway*
- *Available in 3 shades of White, Brown, Light Oak and Rosewood*
- *Fast Easy Installation*
- *Totally Maintenance Free*
- *Delivered Approx' 2-3 Days*
- *Fully Guaranteed*



fast easy installation!

Please see reverse for technical information

GEORGIAN DOOR SURROUND



*Georgian top available in any length up to a maximum of 3000mm in one piece.

Available in Various Colours:

- 3 Shades of White: Standard, Ultra, Deeplas
- Chocolate Brown, Light Oak & Black

Pillars are also available separately.

Edwardian Door Surround

transforms any doorway



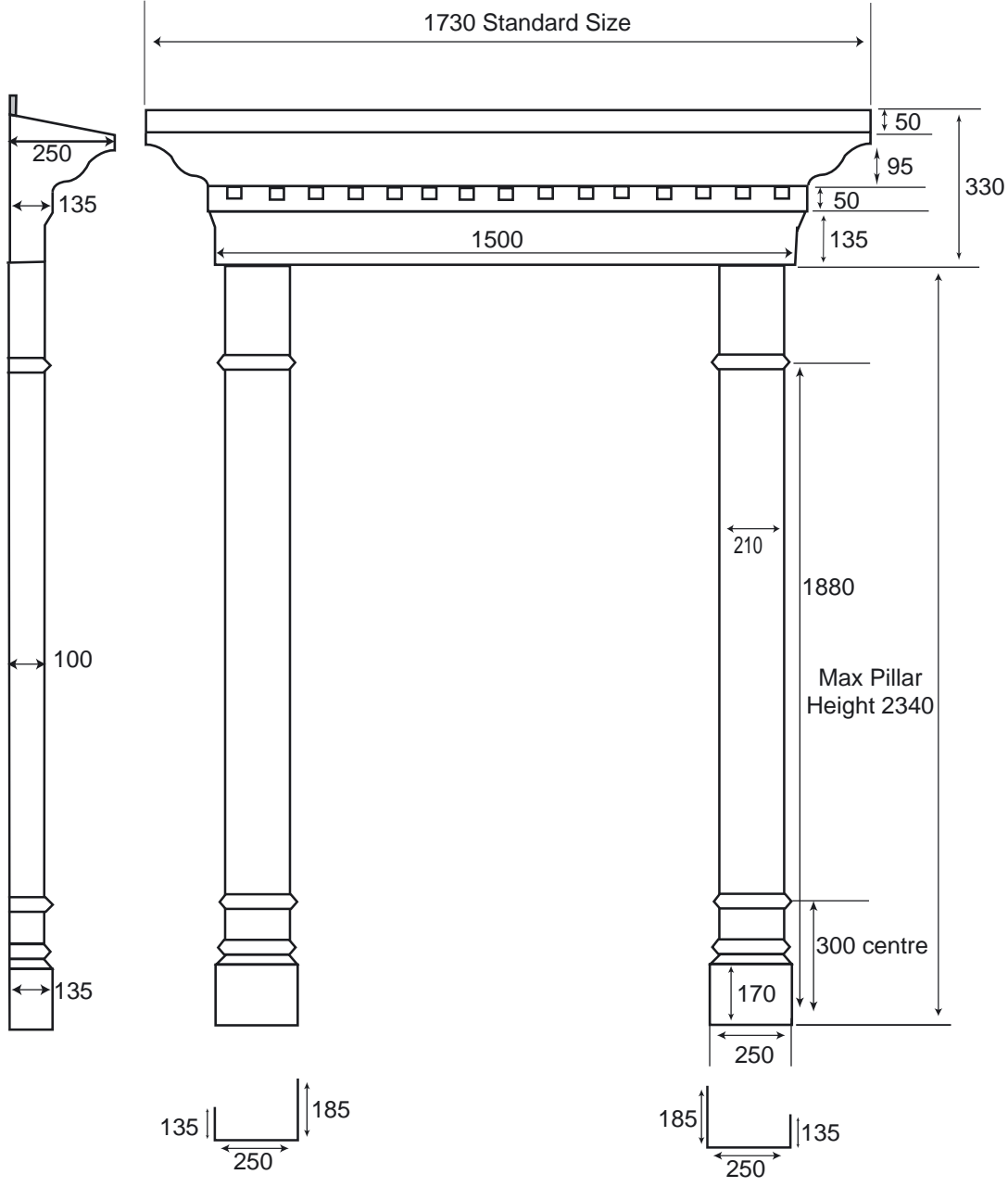
- *Beautiful Moulded Design*
- *Made in Strong Rigid Fibreglass*
- *Transforms any Doorway*
- *Available in 3 shades of White, Brown, Light Oak and Rosewood*
- *Fast Easy Installation*
- *Totally Maintenance Free*
- *Delivered Approx' 2-3 Days*
- *Fully Guaranteed*



fast easy installation!

Please see reverse for technical information

EDWARDIAN DOOR SURROUND



Available in Various Colours:

- 3 Shades of White: Standard, Ultra, Deeplas
- Chocolate Brown, Light Oak & Black

Pillars are also available separately.

Victorian Portico

fast & easy installation!



Shown here with a decorative plaque option.

Our beautiful Portico will enhance your home and protect you and your property from the extremes of today's changing climate.

These beautifully moulded columns are lightweight and easy to handle. They can be used in many building projects, including porches, and porticos.

Further strength for load-bearing properties can be added by filling the centre of the columns with steel rods and concrete, creating a real-feel concrete column that will retain its good looks with no maintenance. Columns can be used with our canopies (as below), or as part of your own design.



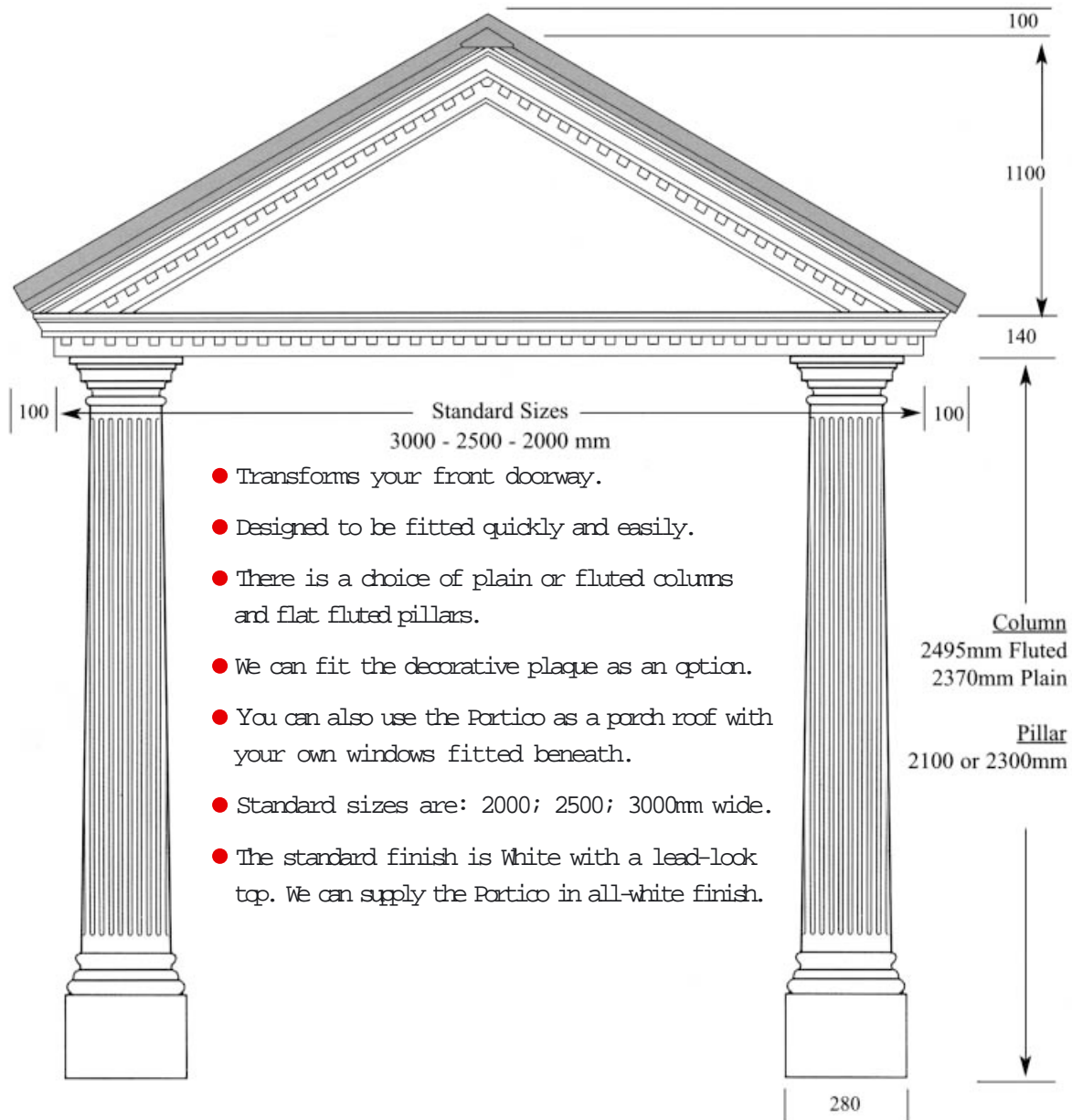
- *Beautiful Moulded Design*
 - *Made in Strong Rigid Fibreglass*
 - *Available in White or Grey*
- Lead-Look Top*

- *Minimal Fitting Time*
- *Totally Maintenance Free*
- *Fully Guaranteed for 10 Years*



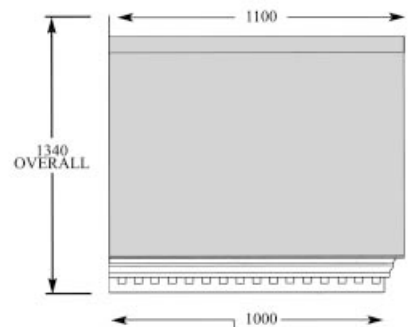
Please see reverse for technical information

VICTORIAN PORTICO



Columns Options:

	Height	Width
Full Plain Column	2370mm	330mm
Half Plain Column	2370mm	330mm
Full Fluted Column	2495mm	350mm
Half Fluted Column	2495mm	350mm
Half Flat Fluted Pillar	2100mm	276mm
Half Flat Fluted Pillar	2300mm	276mm



Packer Boxes for alternative height requirements can be made to order.

4 Metre Garden Room Roof

*don't sit in a greenhouse,
relax in a garden room!*



4M Wide Version

- Built in Gutter System
- Built in Lighting Duct
- Available in 3 shades of White, Brown, Oak and Rosewood
- Fast Easy Installation
- Totally Maintenance Free
- Delivering Approx' 7-14 days
- Fully Guaranteed



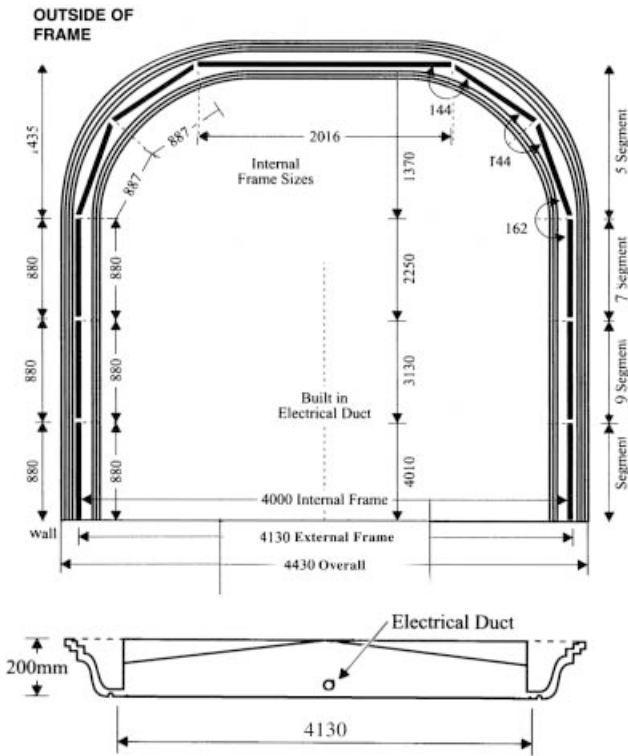
totally leak-proof moulding

Please see reverse for technical information

GARDEN ROOM ROOF MODULES

SUGGESTED FRAME LAYOUT SHEET (OTHER SIZES OF FRAME CAN BE USED)

Garden rooms can be used in conjunction with our flexi-porch roofs to create different variations in designs and shape. * Your roof may need to be manufactured in two separate pieces depending on size ordered.



Only available with flat textured ceiling.



Fully insulated roof 0.2U Value, this keeps your conservatory cool in summer and warm in winter, eliminating condensation problems.

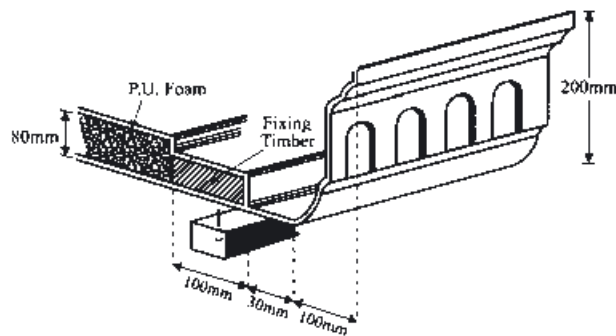
Our unique drain hopper can be fitted at any point on the gutter allowing you more flexibility.

Garden Room Roofs

Available in 5 segment sizes

- 5 segment size
- 7 segment size
- 9 segment size
- 11 segment size

Special variations in length made to order. Normal delivery approx 7-14 days.



Available in Six Colours:

- Standard White
- Deeplas White
- Ultra White
- Chocolate Brown
- Light Oak
- Rosewood

Split colours available on request, Chocolate Brown/ White Ceiling, etc.

3 Metre Garden Room Roof

designed to make life easier!



3M Wide Version

- One Piece Leak-Proof Moulding
- Built in Gutter System
- Built in Lighting Duct
- Available in 3 shades of White, Brown, Oak and Rosewood.
- Fast Easy Installation
- Totally Maintenance Free
- Delivering Approx' 7-14 days
- Fully Guaranteed



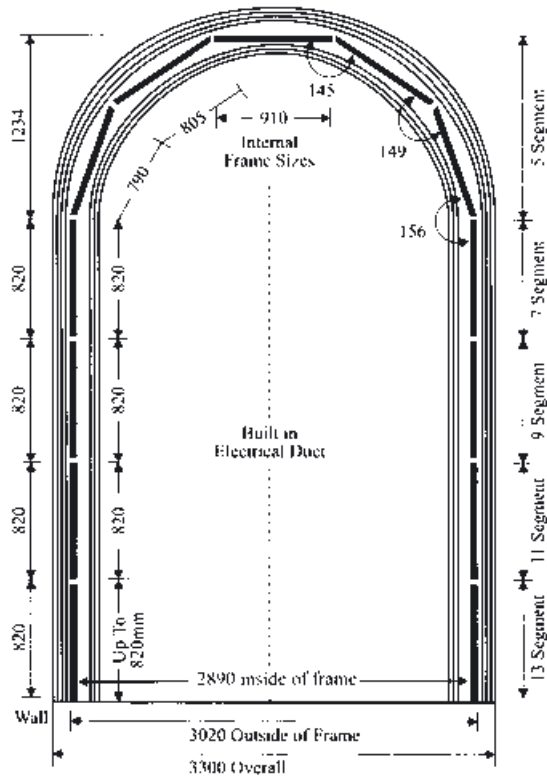
one piece leak-proof moulding

Please see reverse for technical information

GARDEN ROOM ROOF MODULES

SUGGESTED FRAME LAYOUT SHEET (OTHER SIZES OF FRAME CAN BE USED)

OUTSIDE OF FRAME



Garden rooms can be used in conjunction with our flexi-porch roofs to create many different variations in design and shape.

Fully insulated roof 0.2U Value, this keeps your conservatory cool in summer and warm in winter, eliminating condensation problems.

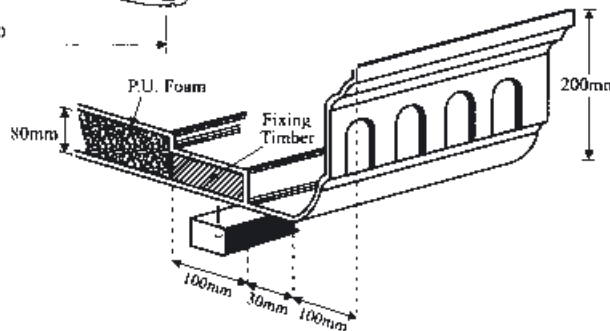
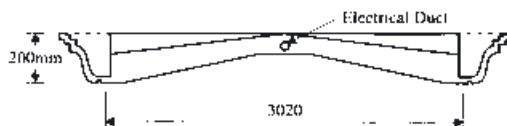
Don't sit in a greenhouse, relax in a garden room.

Our unique drain hopper can be fitted at any point on the gutter allowing you more flexibility.

Garden Room Roofs

Available in:
5 segment size
7 segment size
9 segment size
11 segment size
13 segment size

Special variations in length made to order. Normal delivery approx' 7-14 days.



Available in Six Colours:

- Standard White
- Deeplas White
- Chocolate Brown
- Ultra White
- Light Oak
- Rosewood

Split colours available on request, Chocolate Brown/ White Ceiling, etc.